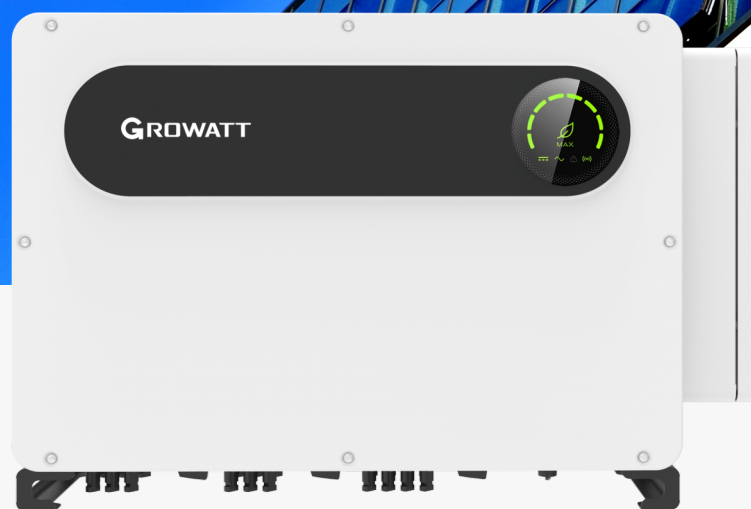
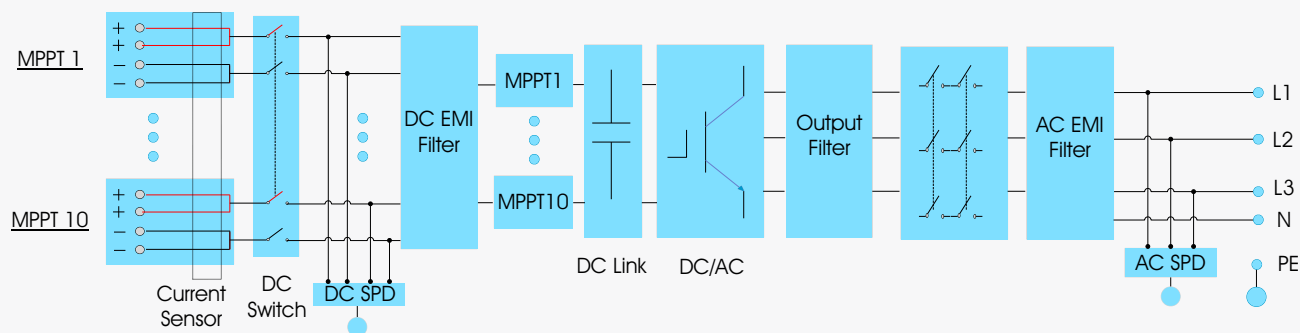


# MAX 80~133KTL3-X LV

- 7/10 MPPTs fusefree design
- Smart I/V scan and diagnosis
- Intelligent string monitoring
- AC&DC type II SPD
- IP66 and C5 protection



## Topology Diagram



## Primary Specification

Datasheet	MAX 80KTL3-X LV	MAX 100KTL3-X LV	MAX 110KTL3-X LV	MAX 120KTL3-X LV	MAX 125KTL3-X LV	MAX 133KTL3-X LV
<b>Input data (DC)</b>						
Max. recommended PV power (for module STC)	120000W	150000W	165000W	180000W	187500W	199500W
Max. DC voltage	1100V					
Start voltage	195V					
Nominal voltage	600V					
MPP voltage range	180V-1000V					
No. of MPP trackers	7	10	10	10	10	10
No. of PV strings per MPP tracker	2					
Max. input current per MPP tracker	32A					
Max. short-circuit current per MPP tracker	40A					
<b>Output data (AC)</b>						
AC nominal power	80000W	100000W	110000W	120000W	125000W	133000W
Max. AC apparent power	88000VA	110000VA	121000VA	132000VA	137500VA	146300VA
Nominal AC voltage(range*)	230V/400V(340-440VAC)					
AC grid frequency (range*)	50/60 Hz(45~55Hz/55-65 Hz)					
Max. output current	127A	158.8A	174.6A	190.5A	198.5A	211.2A
Adjustable power factor	0.8leading ...0.8lagging					
THDI	<3%					
AC grid connection type	3W/N/PE					
<b>Efficiency</b>						
Max. efficiency	98.8%					
European efficiency	98.4%	98.4%	98.5%	98.5%	98.5%	98.5%
MPPT efficiency	99.9%					
<b>Protection devices</b>						
DC reverse polarity protection	Yes					
DC switch	Yes					
AC/DC surge protection	Type II / Type II					
Insulation resistance monitoring	Yes					
AC short-circuit protection	Yes					
Ground fault monitoring	Yes					
String detection	Yes					
Anti PID function	Opt					
Arc fault detection (AFCI)	Opt					
<b>General data</b>						
Dimensions (W / H / D)	970/640/345mm					
Weight	84kg					
Operating temperature range	-30°C ... +60°C					
Nighttime power consumption	< 1W					
Topology	Transformerless					
Cooling	Smart Cooling					
Protection degree	IP66					
Relative humidity	0~100%					
Altitude	4000m					
DC connection	H4/MC4 (Max.6mm <sup>2</sup> )					
AC connection	OT Terminal (Max. 240mm <sup>2</sup> )					
Display	LED/WIFI+APP					
Interfaces: RS485 / USB /PLC/GPRS/4G/WIFI	Yes/Yes/Optional/Optional/Optional/Optional					
Place of production	Made in China					
CE,IEC62116, IEC61727, CQC, VDE0126, VFR2019, EN50549-1/2, C10/C11, UNE206007, G99 CEI 0-21/0-16, N4105&N4110, UNE206006, MEA, PEA, KSC8565						

\* The AC voltage range and frequency range may vary depending on specific country grid standard.  
All specifications are subject to change without notice.